

# ILLUMINATION SYSTEM WITH SOLAR PANEL CHARGE CONTROLLER LED BULBS



■ 2 bulbs ■ 3 bulbs ■ 4 bulbs

SKU: 0146-2 SKU: 0146-3 SKU: 0146-4

User manual  
Certificate of warranty

English

Manuale d'uso  
Certificato di garanzia

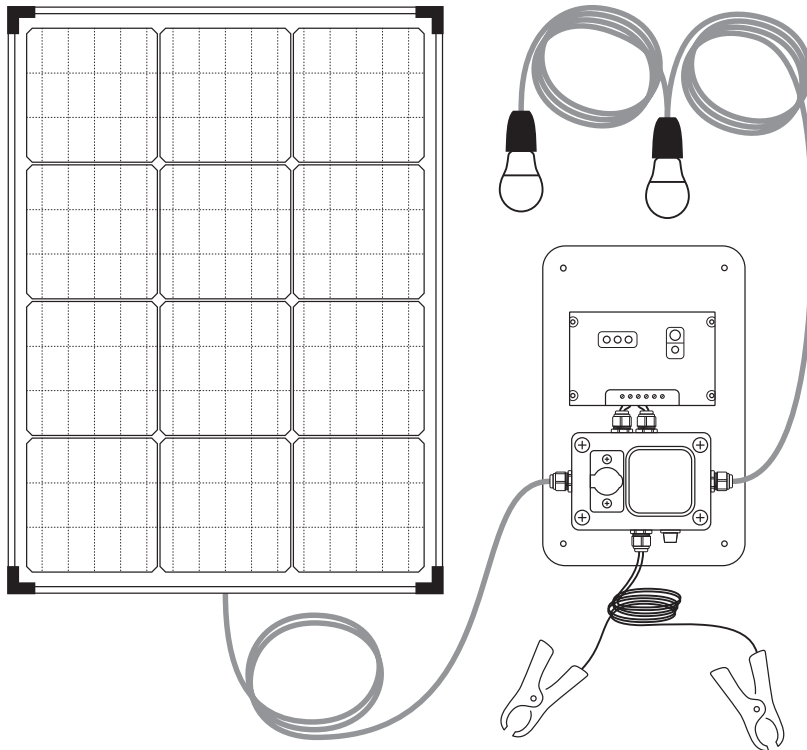
Italiano

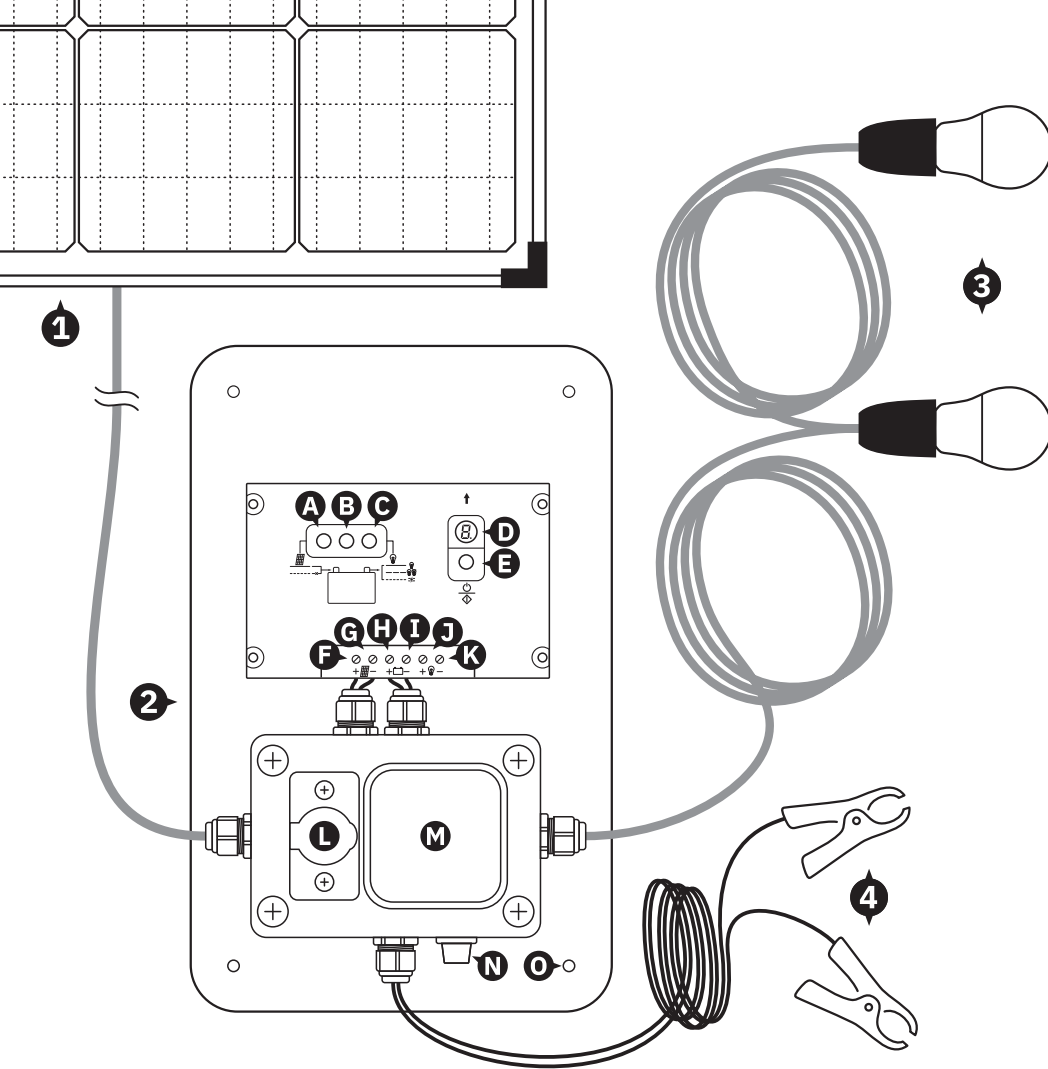
Manual de utilizare  
Certificat de garanție

Română

Használati utasítás  
Jótállási bizonylat

Magyar





**Fig. A**

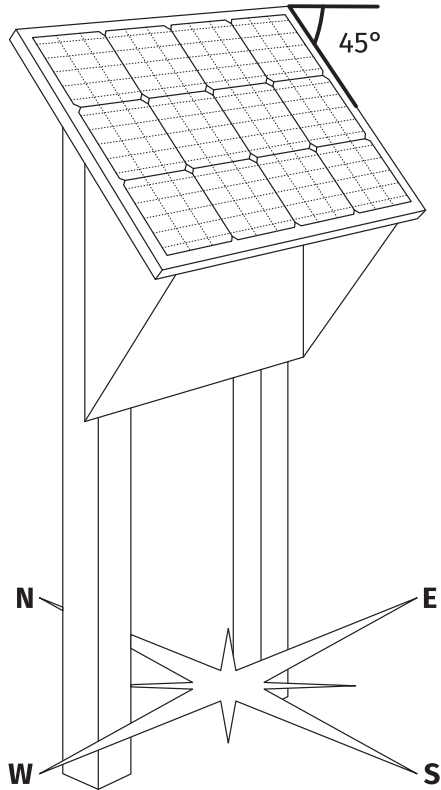
- 1** – Solar panel
- 2** – Control panel
- 3** – LED bulbs
- 4** – Accumulator connection clamps
- A** – Charge indicator
- B** – Charge level indicator
- C** – Programmed output indicator (unused)
- D** – Work mode (unused)
- E** – Work mode button (unused)
- F** – Solar panel +
- G** – Solar panel -
- H** – Accumulator +
- I** – Accumulator -
- J** – Programmed output + (unused)
- K** – Programmed output - (unused)
- L** – Cigarette lighter connector
- M** – Light switch
- N** – Glass fuse, 10 A
- O** – Fixing holes

**Note:**

Please refer to these figures when reading the instructions on your language.

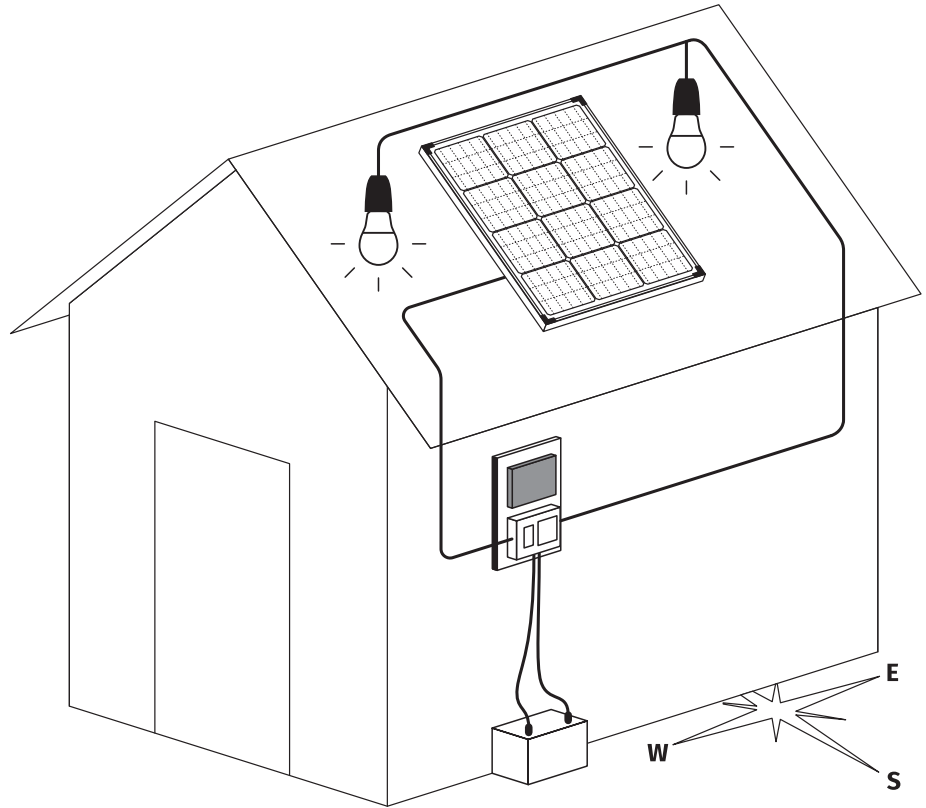
**Fig. B**

Recommended mounting of the solar panel. Tilt in 45° and orient toward south.



**Fig. C**

Mounting the solar panel on a roof. Applicable only if it's facing toward south and it's tilted in approximately 45 degrees. Otherwise a supporting structure can be built for the solar panel to fulfill the orientation conditions.



## Solar illumination system

A solar illumination system is a perfect solution on remote locations where the 230 V mains is not available. The system is primarily intended to illuminate indoor locations, but it allows to connect 12 V, low power consumers as well, such as mobile phone chargers, FM-transmitters, electric fence energizers, etc.

### Elements of the system (Fig. A)

- ① – Solar panel
- ② – Control panel
- ③ – Bulbs
- ④ – Accumulator connection clamps

### The control panel

- A – Charge indicator
- B – Charge level indicator
- C, D, E – Unused
- F, G – Solar panel connection
- H, I – Accumulator connection
- J, K – Unused
- L – Cigarette lighter connector
- M – Light switch
- N – Glass fuse 10 A (5×20 mm, glass)
- O – Fixing holes

## Installation

The system is shipped as partially assembled. Length of the cables:

- Solar panel ↔ Control panel – 5 m.
- Control panel ↔ Accumulator – 1,5 m.
- Control panel ↔ Bulbs – 5 m.
- Bulb ↔ Bulb – 5 m.

It is quite simple to install the system (Fig. B) – the solar panel has to be mounted facing toward south and tilted in 45 degrees. Make sure that no shadows are cast on its surface during the day. These three conditions must be met.

The solar panel may be mounted on a roof of a building if the orientation of the roof is toward south. If the south-facing condition is not met, a supporting structure can be built for the solar panel to allow the correct orientation.

The panel can be fixed through the ① holes (Fig. A) on its aluminum frame.

The control panel must be installed in a place free of moisture (water droplets, rain, snow), as the primary source of failure is moisture. Upon choosing the right location for the control panel, consider the ease of access, as the frequently used light switch is situated on this.

The bulbs has to be mounted in a moisture-free location, otherwise the contacts in their sockets will deteriorate quickly over time.

⚠ Keep in mind that the solar panel produces electricity even in low light, therefore avoid short circuits during handling and installation! To prevent damaging the solar panel or the charge controller, keep the solar panel covered with a light barrier material until the installation is complete!

i When extending the wires, be sure, the contacts are flawless and the insulations are perfect! Always be sure that there is no current in the wires during the installation – although the 12 V continuous current is harmless, an accidental short circuit can render the whole system useless!

## Accumulator

Use a 12 V acidic or gel accumulator to store the collected energy. Attention, the package does not contain the accumulator! Do not use other types of accumulators, such as Li-Ion or Ni-MH.

A high capacity accumulator may be used, but we recommend a maximum value of 100 Ah, since in the case of the total depletion of the accumulator the system may be unable to restart the charging. The minimum capacity of the accumulator is 45 Ah.

Connect the accumulator to the control panel by the included clamps (Fig. B).

- Red clamp = positive lead (+)
- Black clamp = negative lead (-)

## Starting the system

In the first step connect the accumulator.

In the second step, check the lights on the charge controller to determine the correct operation of the system (study the "Lights on the charge controller" chapter below).

In the last step switch on the light and connect the consumers.

- ⓘ Avoid turning on the light or connecting the consumers without a connected accumulator, as you risk damaging the devices! Depending on the light strength, the output voltage of the system can vary greatly. For example, on a sunny day, without a connected accumulator, the output voltage of the system can be as high as 22 V, which obviously will damage any consumer that has a nominal powering voltage of 12 V!

## Using the system

The illumination can be turned on/off by the switch **M**, Fig. A. Attention, the switch operates ALL bulbs at once. Consider conserving the energy of the accumulator by using the lights strictly when necessary. Recharging works only during the light of day, on dark, cloudy days the recharge process is much slower.

The control panel allows the connection of a 12 V device having an automotive cigar lighting connector. All kinds of low-consumption

devices may be connected here, such as mobile device chargers, FM-transmitters, electric fence energizers, etc. Pay attention to the time these devices are connected – you should disconnect the devices as soon as those aren't used, especially nighttime, to prevent the accidental discharge of the accumulator.

It is also possible to connect a 12/230 V inverter to the cigar lighting outlet, but of course, powering devices having a power over 40-50 W will not work and it does not worth giving a try. The list of such consumers is almost infinite, but includes among others: fridges, vacuum cleaners, heaters, irons, drilling machines, etc., therefore devices that have a consumption well over 50 W. Keep in mind that the system is primarily intended for lighting, connection additional consumers is an option.

## Lights on the charge controller

The **A** and **B** lights (Fig. A) are showing essential information regarding the operation of the system. The status of the **C** LED isn't important since the output associated with this is not used.

### **A** Charging indicator

- Off – No charging.
- Continuous green – Charging.
- Slow flashing green – Maintaining the charged state of the accumulator.
- Fast flashing green – Maintenance mode of the accumulator (buck charge, desulfation).

ⓘ | Normally this light has to be continuously green.

### **B** Charge level indicator

- Flashing green – Maximum charge level.
- Continuous green – Normal charge level.
- Continuous orange – Low charge level.
- Continuous red – Very low charge level.
- Flashing red – Accumulator depleted.

ⓘ | Normally this light has to be continuously green. **When the color turns into orange or red, switch off the lights, disconnect the consumers for a while to allow the efficient recharge of the accumulator.**

## Stopping the system

Before altering the connections, cover the solar panel with a light barrier material to stop the electricity production.

First switch off the lights, disconnect the consumers, the accumulator may be disconnected only after this. Carefully avoid leaving the consumers powered without a connected accumulator, especially in a sunny day, since over-voltage may damage the devices!

## Maintenance

From time to time clean the surface of the solar panel with a wet cloth. The accumulated dust, leaves or animal waste can decrease significantly the performance of the solar panel, which may lead to unwanted depletion of the accumulator.

Avoid the depletion of the accumulator during the night, or during dark, cloudy days. Periodically look at the lights on the charge controller to check the charge level. Recharging the accumulator needs a lot of power at the expense of the powered devices. Keeping the accumulator almost charged ensures a long and trouble-free life of the system.

## The fuse

In the case of an unwanted short circuit, the fuse (Fig. A, **N**) may be burned out. Although it is a working method to replace the burned fuse with a thin copper wire, we highly recommend purchasing spare fuses in order to prevent causing more damage to the system in an event of a new short circuit.

The frequent causes of burning the fuse include:

- The distortion of the connectors inside the bulb socket, due to a wrong disassembly-assembly.
- Accidental touching of the wires inside the bulb socket, following an incorrect assembly after the power wires have been extended or mounted.
- Short circuits in bulbs after burning out.
- Connecting a defective consumer to the system.

- i** Fuse parameters: 5×20 mm, glass, 10 A.  
To verify or to replace the fuse, unscrew the fuse socket cap **N** (Fig. A), take out the fuse and check the presence of the thin wire in the glass tube in the front of a strong light.

## Warranty

Thank you for choosing this illumination system! We offer a warranty of **12 months**, starting with the date on the invoice. During this period we will fix or replace the defective elements for free, but only when the warranty conditions below are fulfilled.

In the event of any defect during the warranty period please contact us by e-mail at **office@agroelectro.ro**, or by phone at **+40 724 776 515** for the possible remediation the problem, or to discuss the shipping details of the defective components.

**ATTENTION:** the bulbs and the fuse are considered as consumables, therefore these aren't covered by warranty! The consumer has to replace these parts from own budget.

**ATTENTION:** it is allowed to modify the system by extending or replacing the wires in order to shorten/extend these, but problems caused by inappropriate insulation or wrong contacts result in voiding the warranty!

The average usage duration of the products is five years. For this period, the buyer benefits, for a fee, of post-warranty service, with original parts.

The warranty conditions are regulated by the Romanian law and our company's business policies, based on the following laws and emergency government decrees: O.G. 21/1992, based on the 449/2003 law, modified by O.U.G. 174/2008, O.U.G. 34/2014 and by O.G. 9/2016. The consumer rights are not affected in any way by the provided warranty.

## 1. Conditions

1. To validate the warranty, the buyer must provide this Certificate of Warranty and a proof of the purchase – invoice/receipt.
  2. The warranty period begins on the date written on the invoice.
  3. The warranty period is extended by the fixing period of the product, from the date of delivery for repair to the date of restoration and written notification to the consumer. The extension of the warranty period will be written in this Certificate of Warranty.
  4. The shipping costs of returning/receiving back the product (round trip) must be paid by the buyer. The shipment will be made by an express courier.
  5. The seller is not responsible for damages caused by natural phenomena (lightning, floods, earthquakes, humidity), fires, negligence in operation, mechanical damages, etc.
  6. Damages such as scratches or breakage of removable or non-removable parts of the product, that were not reported to the seller at the time of purchase, are not covered by the warranty.
  7. Damages caused during the return shipment of the product, due to improper packaging, falls to the responsibility of the buyer.
5. Use of the product in unsuitable environmental conditions – actions of chemical materials, noxious substances, smoke, extreme dust or moisture. Product damage caused by bad weather.
  6. Modification or unsealing of the product by unqualified or unauthorized persons or companies. The improper repairs of the product can affect its safety and may cause irreparable damage. In order to avoid these situations, we recommend to you carry out any repairs exclusively at Agro Electrosistemas SRL.
  7. The finding of the fact (by the specialists of the company Agro Electrosistemas SRL) that the claimed defect is due to the fault of the buyer.

## 2. Loosing the warranty

The product warranty is granted only if the products are used properly, as intended, and also certain administrative conditions are met. The product warranty is lost in the following cases:

1. The present Certificate of Warranty cannot be provided, along with the invoice/receipt of the purchase.
2. The product was not used properly:
  - Improper or erroneous electrical connections.
  - Incorrect supply voltage.
  - The electronic circuits were altered.
3. Mechanical damage caused by accidents, shocks, vibrations, or other forms of physical abuse.
4. Thermal damage due to fire or other heat-related natural disasters.

## Sistema di illuminazione solare

Il sistema di illuminazione fotovoltaica è una soluzione efficace in aree in cui non c'è accesso alla rete 230 V – baite, roulotte, ovile, ecc. Da utilizzato principalmente per l'illuminazione di ambienti, ma oltre a questo permette anche l'alimentazione di vari dispositivi 12 V a basso consumo – caricabatterie per telefoni cellulari, trasmettitori FM, apparecchi di recinzione elettrica, ecc.

### Elementi del sistema (Fig. A)

- ① – Pannello solare
- ② – Pannello di controllo
- ③ – Lampadine
- ④ – Morsetti collegamento accumulatore

### Pannello di controllo

- A – Indicatore di carica
- B – Indicatore di livello di carica
- C, D, E – Inutilizzato
- F, G – Collegamento del pannello solare
- H, I – Collegamento accumulatore
- J, K – Inutilizzato
- L – Presa accendisigari per auto
- M – Interruttore della luce
- N – Fusibile 10 A (5x20 mm, vetro)
- O – Fori di montaggio pannello di controllo

## Istallazione

Il sistema viene fornito parzialmente assemblato. Lunghezza del cavo:

- Pannello solare ↔ Pannello di controllo – 5 m.
- Pannello di controllo ↔ Accumulatore – 1,5 m.
- Pannello di controllo ↔ Lampadine – 5 m.
- Lampadina ↔ Lampadina – 5 m.

L'installazione del sistema è abbastanza semplice (Fig. B): il pannello solare è montato inclinato a 45 gradi, esposto a sud, in un luogo protetto dall'ombra per tutto il giorno. Si raccomanda che il supporto del pannello sia il più alto possibile.

Il pannello solare può essere montato anche sul tetto di un edificio (Fig. C), se l'orientamento del tetto si trova a sud. Altrimenti una struttura semplice può essere costruita sul tetto per consentire il corretto orientamento del pannello.

Il pannello di controllo è fissato con 4 viti mediante fori di fissaggio (Fig. A, O).

Il pannello di controllo (Fig. A, ②) deve essere installato necessariamente in un luogo protetto dall'umidità (spruzzi, pioggia, neve), poiché la principale fonte di malfunzionamenti è principalmente l'umidità. Pertanto, durante l'installazione, tenere conto anche del facile accesso al pannello di controllo, poiché qui si trova anche l'interruttore di luce.

Le lampadine devono essere installate in luoghi protetti dall'umidità, altrimenti i contatti nelle prese si deteriorano molto rapidamente.

⚠ Tenere presente che il pannello solare produce anche energia elettrica in condizioni di scarsa illuminazione – evitare la formazione di cortocircuiti durante la manipolazione e l'installazione del sistema! Per evitare danni al pannello solare, o al regolatore di carica, mantenere il pannello solare coperto fino a quando l'installazione è completa!

ⓘ In caso di estensione dei cavi, fare buoni contatti e isolamenti appropriati. In caso di cambio totale dei cavi evitare la formazione di cortocircuiti! Assicurarsi sempre che non ci sia corrente nei fili dei cavi con cui si lavora – sebbene la tensione di 12 V non sia pericolosa al tatto, un cortocircuito accidentale può danneggiare istantaneamente il sistema trovato sotto corrente!



## Accumulatore

Per l'accumulo di energia utilizzare un'accumulatore da 12 V (per auto, tipo acido). Attenzione, l'accumulatore non è incluso nel pacco! Non utilizzare accumulatore di tipo Ni-MH o Li-ion!

È consentito utilizzare un'accumulatore di grande capacità, ma si consiglia una capacità massima di 100 Ah, poiché in caso di scarica totale, il sistema non è in grado di riavviare la ricarica dell'accumulatore. La capacità minima dell'accumulatore è di 45 Ah.

L'accumulatore è collegato al pannello di controllo tramite morsetti collegati (Fig. A, 4).

- Morsetto rosso = terminale positivo (+) dell'accumulatore.
- Morsetto nero = terminale negativo (-) dell'accumulatore.

## Avvio del sistema

Nella prima fase collegare dell'accumulatore.

Nella seconda fase, controllare le spie del regolatore di carica per il corretto funzionamento del sistema (vedere il capitolo "I LED indicatori sul regolatore di carica" di seguito).

Nell'ultima fase, la luce può essere accesa e gli eventuali consumatori possono essere collegati.

⚠ Evitare di accendere l'illuminazione o di collegare i dispositivi che verranno alimentati, se l'accumulatore del sistema non è collegato! Si rischia di danneggiare i consumatori, perché a seconda dell'intensità della luce dell'ambiente, la tensione del sistema senza un accumulatore collegato può variare in modo significativo. Ad esempio, in pieno sole, senza un'accumulatore collegato, il sistema può produrre anche una tensione di 22 V, che danneggia i consumatori con l'alimentazione nominale di 12 V!

## L'uso del sistema

L'illuminazione può essere attivata/disattivata azionando l'interruttore (M), Fig. A. Attenzione, questo interruttore accende/spegne in un solo scontro TUTTE le lampadine collegate. Considera il risparmio energetico con il tempo di illuminazione il più basso possibile per

risparmiare l'energia dell'accumulatore – si ricarica solo alla luce del giorno, inoltre in condizioni di tempo prevalentemente nuvoloso la ricarica giornaliera funziona con bassa efficienza.

Il pannello di controllo prevede la connessione di un singolo consumatore con alimentazione da 12 V, con una spina di tipo accendisigari per auto. Si può collegare qui qualsiasi dispositivo a basso consumo, come ad esempio caricatore del telefono mobile, trasmettitore FM, elettrificatore di recinto elettrico, ecc. Particolare attenzione quando si collegano questi dispositivi – tenerle collegate solo per il tempo strettamente necessario per evitare lo scarico accidentale della accumulatore, soprattutto di notte.

È possibile collegare un inverter da 12/230 V alla presa accendisigari dell'auto, ma ovviamente, l'alimentazione dei consumatori oltre 40-50 W non funziona, e non è nemmeno consigliabile provare a collegarli. L'elenco dei consumatori proibiti è infinito, ma include tra gli altri: frigoriferi, aspirapolveri, riscaldatori, ferri da stiro, trapani e altri utensili manuali, quindi i consumatori con potenza ben superiore a 50 W. Considera il fatto che il sistema è progettato principalmente per l'illuminazione, l'alimentazione dei consumatori secondari è un'opzione.

## I LED indicatori sul regolatore di carica

I LED A e B di Fig. A sono indicatori importanti che forniscono informazioni essenziali sul funzionamento del sistema. Lo stato dei LED C non ha importanza, poiché l'uscita associata a questo indicatore non viene utilizzata.

### A Indicatore di carica

- Spento – non carica.
- Verde, continuo – Ricarica accumulatore.
- Verde lampeggiante lento – Mantenere l'accumulatore in stato di carica.
- Verde lampeggiante rapido – Desolfatazione (ricondizionamento) accumulatore.

i | Normalmente questo indicatore dovrebbe avere una luce verde continua.

## ③ Indicatore del livello di carica

- Verde lampeggiante – Livello massimo di carica.
- Verde continuo – Livello di carica normale.
- Arancione continuo – Livello di carica basso.
- Rosso continuo – Livello di carica molto basso.
- Rosso lampeggiante – Accumulatore scaricato.

① Normalmente questo indicatore dovrebbe avere una luce verde continua. Se l'indicatore ha il colore arancione o rosso, per un tempo, spegnere la luce per un po' e scollegare tutti i consumatori per ricaricare in modo efficiente l'accumulatore.

## Arresto del sistema

Prima di maneggiare i collegamenti, coprire il pannello solare per fermare la produzione di energia elettrica!

Prima spegnere la luce e scollegare i consumatori. Dopo questo, è possibile scollegare l'accumulatore dal sistema. Evitare di utilizzare il sistema senza un'accumulatore collegato in ogni caso, perché si rischia di danneggiare i dispositivi collegati da sovratensione di alimentazione!

## Manutenzione

Pulire periodicamente la superficie del pannello solare con un panno umido. Depositi di polvere, foglie, neve, residui animali, ecc. riducono significativamente l'efficienza del pannello solare, o addirittura interrompono il suo funzionamento, che porta a scariche indesiderate dell'accumulatore.

Evitare di scaricare l'accumulatore durante la notte o in condizioni di tempo preponderatamente nuvoloso monitorando regolarmente le spie sul regolatore. La ricarica dell'accumulatore richiede più energia rispetto all'utilizzo della luce o all'alimentazione dei dispositivi collegati. Mantenere l'accumulatore in uno stato quasi carico garantisce una vita lunga e senza problemi per il sistema.

## Sicurezza

In caso di un cortocircuito indesiderato, il fusibile sul pannello di controllo potrebbe bruciarsi (Fig. A, ④). Anche se è una pratica diffusa per sostituire il fusibile bruciato con un filo di rame, si consiglia vivamente di acquistare fusibili di ricambio al fine di evitare danni più gravi al sistema in caso di un nuovo corto circuito.

Le cause più comuni del bruciamento dei fusibili sono:

- Deformazione dei contatti all'interno delle prese, a causa della disattenzione allo smontaggio-montaggio.
- Contatti indesiderati tra i cavi di alimentazione all'interno della presa a causa di un montaggio errato dopo l'estensione o la posa del cavo di alimentazione.
- La formazione di cortocircuiti all'interno delle lampadine dopo che esse si bruciano.
- La connessione di un consumatore difettoso.

① Parametri di sicurezza: 5x20 mm, vetro, 10 A.  
Per controllare o sostituire il fusibile, svitare la presa ④ (Fig. A), rimuovere il fusibile e controllare la luce per la presenza del filo sottile all'interno del tubo di vetro.

## Garanzia

Grazie per aver scelto questo sistema d'illuminazione solare! Offriamo una garanzia di **12 mesi** dalla data di emissione della fattura.

In caso di qualsiasi malfunzionamento durante il periodo di garanzia vi preghiamo di contattarci via e mail su [info@agroelectro.it](mailto:info@agroelectro.it), o telefonicamente sul numero **+39 351 712 3775** al fine di risolvere il problema, o per discutere i dettagli del invio di prodotti difettosi.

**ATTENZIONE:** le lampadine e il fusibile di sistema sono elementi di consumo, quindi non sono coperti dalla garanzia! L'acquirente deve sostituire questi articoli da solo.

**ATTENZIONE:** è accettabile modificare il sistema allungando o cambiando i cavi di collegamento per accorciarli/allungarli, ma i malfunzionamenti causati alle connessioni o isolamenti non professionali, l'uso di fili impropri, comportano la perdita della garanzia!

La durata media dell'uso dei prodotti è di cinque anni. Per questo periodo, l'acquirente beneficia, a pagamento, del servizio post garanzia con parti originali.

La garanzia dei prodotti è concessa in conformità con le disposizioni di O.U.G. 21/1992 e la Legge 449/2003, modificata e successivamente integrata da O.U.G. 174/2008, O.U.G. 34/2014 e O.G. 9/2016. I diritti del consumatore non sono pregiudicati in alcun modo dalla garanzia offerta.

### 1. Condizioni di garanzia

1. In caso di richieste di riparazione in garanzia, l'acquirente è tenuto a presentare il presente certificato di garanzia, unitamente alla fattura/ricevuta originale di acquisto dei prodotti.
2. Il periodo di garanzia concesso dal produttore decorre dalla data di acquisto (data di emissione della fattura).
3. Il periodo di garanzia è esteso dal tempo di inattività del prodotto, trascorso dalla data della sua consegna per la riparazione fino alla data del suo ritorno alle condizioni di funzionamento e alla notifica scritta del consumatore in merito. L'estensione del periodo di garanzia sarà inclusa in questo certificato.
4. Il pagamento della spedizione per i prodotti inviati (andata e ritorno) al fine di risolvere la garanzia è a carico dell'acquirente, e la spedizione sarà effettuata dal corriere espresso.
5. Il produttore non è responsabile per danni causati al prodotto da fenomeni naturali (fulmini, inondazioni, terremoti, umidità), incendi, negligenza nel funzionamento, danni meccanici, ecc.
6. Danni come graffi o rotture di elementi rimovibili o non rimovibili che non sono stati portati a conoscenza del venditore al momento dell'acquisto non sono coperti dalla garanzia.
7. I danni causati durante la restituzione del prodotto a causa di un imballaggio improprio sono a carico dell'acquirente.

### 2. Perdita della garanzia

La garanzia dei prodotti è concessa solo se i prodotti sono utilizzati correttamente e sono soddisfatte determinate condizioni amministrative. La garanzia del prodotto è persa nei seguenti casi:

1. Mancata presentazione della ricevuta/fattura originale per l'acquisto del prodotto, accompagnata dal presente certificato di garanzia.
2. Uso del prodotto in un regime di lavoro diverso da quello per il quale è stato progettato:
  - Collegamenti elettrici errati o non raccomandati dal produttore.
  - Tensione di alimentazione impropria.
  - Cambiamenti nei circuiti elettronici.
3. Modifiche meccaniche improprie.
4. Danni meccanici causati da incidenti, urti, vibrazioni, colpi o altre forme di azione meccanica.
5. Danni termici, a causa di incendi.
6. L'uso del prodotto in condizioni ambientali inappropriate – azioni di sostanze chimiche, sostanze nocive, fumo, polvere o umidità. Guasto del prodotto causato dagli agenti atmosferici.
7. Modifica o apertura del prodotto da parte di persone o aziende, non qualificate o non autorizzate. Le riparazioni improprie eseguite sul prodotto possono influire sulla sua sicurezza e causare danni irreparabili. Al fine di evitare queste situazioni, si consiglia di effettuare eventuali riparazioni/controlli esclusivamente presso Agro Electrosistems SRL.
8. L'accertamento del fatto (da parte degli Specialisti di Agro Electrosistems SRL) che il difetto dichiarato è causato dalla colpa dell'acquirente.

## Sistem de iluminat solar

Sistemul de iluminat fotovoltaic este o soluție eficientă în zonele unde nu există acces la rețeaua de 230 V – cabane, rulote, stână, etc. A se utiliza în primul rând pentru iluminarea încăperilor, dar pe lângă aceasta permite și alimentarea diferitelor dispozitive de 12 V, cu consum redus – încărcătoare de telefon mobil, transmițătoare FM, aparat de gard electric, etc.

### Elementele sistemului (Fig. A)

- ❶ – Panou solar
- ❷ – Panou de control
- ❸ – Becuri
- ❹ – Cleme conexiune acumulator

### Panoul de control

- Ⓐ – Indicator de încărcare
- Ⓑ – Indicator nivel de încărcare
- Ⓒ, Ⓓ, Ⓔ – Nefolosit
- Ⓕ, Ⓖ – Conexiune panou solar
- Ⓗ, Ⓘ – Conexiune acumulator
- Ⓝ, Ⓚ – Nefolosit
- Ⓛ – Soclu brichetă auto
- Ⓜ – Întrerupător lumină
- Ⓝ – Siguranță fuzibilă 10 A (5×20 mm, sticlă)
- Ⓞ – Găuri de fixare panou de control

## Instalare

Sistemul este furnizat parțial asamblat. Lungime cabluri:

- Panou solar ↔ Regulator de încărcare – 5 m.
- Regulator de încărcare ↔ Acumulator – 1,5 m.
- Panou ↔ Becuri – 5 m.
- Bec ↔ Bec – 5 m.

Instalarea sistemului este destul de ușoară (Fig. B): panoul solar se montează înclinat la 45 grade, orientat spre sud, într-un loc ferit de umbră pe tot timpul zilei. Este recomandat ca suportul panoului să fie cât mai înalt.

Panoul solar se poate monta și pe acoperișul unei clădiri (Fig. C), dacă orientarea acoperișului este situată spre sud. În caz contrar se poate construi o structură simplă pe acoperiș pentru a permite orientarea corespunzătoare a panoului.

Panoul de control se fixează cu 4 șuruburi prin intermediul găurilor de fixare ❶ (Fig. A).

Panoul de control (Fig. A, ❷) trebuie montat neapărat într-un loc ferit de umezeală (stropi, ploaie, zăpadă), întrucât principala sursă a defecțiunilor este în mod preponderent umezeala. La instalare țineți cont și de accesul ușor la panoul de control, deoarece aici se află și întrerupătorul de lumină.

De asemenea, becurile trebuie montate în locuri ferite de umezeală, în caz contrar contactele în dulii se deteriorează foarte rapid.

⚠ Aveți în vedere faptul că panoul solar produce energie electrică și la lumină scăzută – evitați formarea scurtcircuitelor în timpul manipulării și instalării ansamblului! Pentru a preveni deteriorarea panoului solar, sau a regulatorului de încărcare, mențineți panoul solar acoperit până la terminarea instalării!

ⓘ În cazul prelungirii cablurilor efectuați neapărat contacte bune și izolații corespunzătoare. În cazul schimbării totale a cablurilor evitați formarea scurtcircuitelor! Asigurați-vă tot timpul că nu există curent în firele cablurilor cu care se lucrează – deși tensiunea de 12 V nu este periculoasă la atingere, un scurtcircuit accidental poate să deterioreze instantaneu sistemul aflat sub curent!

## Acumulatorul

Pentru stocarea energiei utilizați un acumulator de 12 V (acumulator auto cu acid, sau de tip gel). Atenție, acumulatorul nu este inclus în pachet! Nu utilizați acumulatori de tip Ni-MH, sau Li-ion!

Este permisă utilizarea unui acumulator cu capacitate mare, însă este recomandată o capacitate maximă de 100 Ah, deoarece în cazul unei descărcări totale, sistemul nu este capabil să repornească reîncărcarea acumulatorului. Capacitatea minimă a acumulatorului este de 45 Ah.

Acumulatorul se conectează la panoul de control prin intermediul clemelor atașate (Fig. A, 4).

- Clema roșie = borna pozitivă (+) de la acumulator.
- Clema neagră = borna negativă (−) de la acumulator.

## Pornirea sistemului

În primul pas conectați acumulatorul.

În al doilea pas verificați luminile indicatoare ale regulatorului de încărcare pentru a constata funcționarea corectă a sistemului (consultați capitolul "LEDuri indicatoare pe regulatorul de încărcare" mai jos).

În ultimul pas se poate aprinde lumina și se pot conecta eventualele consumatori.

⚠ Evitați pornirea iluminatului, sau conectarea dispozitivelor care vor fi alimentate, dacă acumulatorul sistemului nu este conectat! Riscați deteriorarea consumatorilor, deoarece în funcție de intensitatea luminii mediului, tensiunea sistemului fără acumulator conectat poate să varieze semnificativ. De exemplu, în soare plin, fără acumulator conectat, sistemul poate să producă și o tensiune de 22 V, ceea ce deteriorează consumatorii cu alimentarea nominală de 12 V!

## Utilizarea sistemului

Iluminarea se poate porni/opri prin acționarea comutatorului M, Fig. A. Atenție, acest comutator pornește/oprește dintr-o dată TOATE becurile conectate. Considerați economia de energie cu timpul de

iluminat cât se poate de redus pentru a conserva energia acumulatorului – aceasta se reîncarcă doar în timp de zi, de asemenea în vreme preponderent înnoată reîncărcarea zilnică funcționează cu un randament redus.

Panoul de comandă prevede conectarea unui singur consumator cu alimentare de la 12 V, cu mufă de tip brichetă auto. Se poate conecta aici orice dispozitiv cu consum redus, cum ar fi încărcător de telefon mobil, transmițător FM, aparat de gard electric, etc. Atenție sporită la conectarea acestor dispozitive – țineți-le conectate doar pentru timpul strict necesar pentru a preveni descărcarea accidentală a acumulatorului, în special pe timp de noapte.

Este posibilă conectarea unui inverter de 12/230 V la soclul de brichetă auto, dar evident, alimentarea consumatorilor peste 40-50 W nu funcționează și nici nu este recomandată încercarea conectării acestora. Lista consumatorilor interzise este infinită, dar include dintre altele: frigidere, aspiratoare, încălzitoare, fiare de călcat, bormașini și alte unelte de mână, deci consumatori cu puterea mult peste 50 W. Considerați faptul că sistemul este conceput în primul rând pentru iluminat, alimentarea consumatorilor secundari este o opțiune.

## LEDuri indicatoare pe regulatorul de încărcare

LEDurile A și B de pe Fig. A sunt indicatoare importante care oferă informații esențiale despre funcționarea sistemului. Starea LEDului C nu contează, deoarece ieșirea asociată cu acest indicator nu este utilizat.

### A Indicator de încărcare

- Stins – Nu se încarcă.
- Verde, continuu – Încărcare acumulator.
- Verde intermitent lent – Menținere acumulator în stare încărcată.
- Verde intermitent rapid – Desulfatare (recondiționare) acumulator.

i În mod normal acest indicator trebuie să aibă lumină verde continuă.

## Ⓜ Indicator nivel de încărcare

- Verde intermitent – Nivel de încărcare maxim.
- Verde continuu – Nivel de încărcare normal.
- Portocaliu continuu – Nivel de încărcare scăzut.
- Roșu continuu – Nivel de încărcare foarte scăzut.
- Roșu intermitent – Acumulator descărcat.

ⓘ În mod normal acest indicator trebuie să aibă lumină verde continuă.  
**În cazul în care indicatorul are o culoare portocalie sau roșie, pentru un anumit timp opriți lumina și deconectați toți consumatorii în vederea încărcării eficiente a acumulatorului.**

## Oprirea sistemului

Înainte de manipularea conexiunilor, acoperiți panoul solar pentru a opri producerea electricității!

Prima dată opriți lumina și deconectați consumatorii. După aceasta se poate deconecta acumulatorul de la sistem. Evitați în orice caz funcționarea sistemului fără acumulator conectat, deoarece riscați deteriorarea dispozitivelor conectate prin alimentare cu supratensiune!

## Întreținere

Curățați periodic suprafața panoului solar cu o cârpă umedă. Depunerile de praf, frunze, zăpadă, reziduuri animale, etc. reduc semnificativ randamentul panoului solar, sau chiar opresc funcționarea acestuia, ceea ce conduce la descărcarea nedorită a acumulatorului.

Evitați descărcarea acumulatorului pe timp de noapte sau în vreme preponderent înnoată prin monitorizarea periodică a luminilor indicatoare de pe regulator. Reîncărcarea acumulatorului necesită mai multă energie în defavoarea utilizării luminii, sau a alimentării dispozitivelor conectate. Menținerea acumulatorului în stare aproape încărcată asigură sistemului o viață îndelungată și lipsită de probleme.

## Siguranța

În caz de un scurtcircuit nedorit, poate să ardă siguranța fuzibilă aflată pe panoul de comandă (Fig. A, Ⓜ). Deși este o practică răspândită înlocuirea siguranței arse cu o liță de cupru, recomandăm cu tărie procurarea siguranțelor de schimb în vederea prevenirii deteriorării mai grave a sistemului în caz de un scurtcircuit nou.

Cauzele cele mai frecvente ale arderii siguranței sunt:

- Deformarea contactelor în interiorul duliilor, datorită neatenției la dezasamblare-asamblare.
- Contacte nedorite între firele de alimentare în interiorul duliei, datorită asamblării incorecte după prelungirea sau așezarea cablului de alimentare.
- Formarea scurtcircuitelor în interiorul becurilor după arderea acestora.
- Conectarea unui consumator defect.

ⓘ Parametrii siguranță: 5×20 mm, sticlă, 10 A.  
Pentru a verifica sau a înlocui siguranța, deșurubați soclul Ⓜ (Fig. A), scoateți siguranța și verificați la lumină prezența firului subțire din interiorul tubului de sticlă.

## Garanție

Vă mulțumim că ați ales acest sistem de iluminat solar! Acordăm o garanție de **12 luni** începând cu data emiterii facturii.

În cazul apariției oricărei defecțiuni în perioada de garanție vă rugăm să ne contactați prin e-mail la [office@agroelectro.ro](mailto:office@agroelectro.ro), sau telefonic la numărul **+40 724 776 515** în vederea remedierii problemei, sau pentru a discuta detaliile de returnare a produselor defecte.

**ATENȚIE:** becurile și siguranța sistemului sunt elemente consumabile, ca urmare acestea nu sunt acoperite de garanție! Cumpărătorul trebuie să înlocuiască aceste elemente pe cont propriu.

**ATENȚIE:** este acceptabilă modificarea sistemului prin prelungirea sau schimbarea cablurilor de conexiune în vederea scurtării/prelungirii acestora, însă defecțiunile cauzate conexiuni sau izolații neprofesionale, utilizarea unor fire necorespunzătoare, au ca rezultat pierderea garanției!

Durata medie de utilizare a produselor este de cinci ani. Pentru această perioadă cumpărătorul beneficiază, contra cost, de service post garanție, cu piese originale.

Garanția produselor este acordată în conformitate cu prevederile O.G. 21/1992 și cu Legea 449/2003, modificată și completată ulterior cu O.U.G. 174/2008, O.U.G. 34/2014 și O.G. 9/2016. Drepturile consumatorului nu sunt afectate în niciun fel prin garanția oferită.

### 1. Condiții de garanție

1. În cazul solicitărilor de reparații în garanție, cumpărătorul este obligat să prezinte acest certificat de garanție, împreună cu factura/chitanța originală de cumpărare a produselor.
2. Perioada de garanție acordată de fabricant decurge de la data cumpărării (data emiterii facturii).
3. Perioada de garanție se prelungește cu timpul de nefuncționare a produsului, scurs de la data predării acestuia pentru reparare și până la data repunerii în stare de funcționare și a notificării în scris a consumatorului despre acest lucru. Prolungirea termenului de garanție se va înscrie în prezentul certificat.
4. Plata transportului pentru produsele trimise (tur-retur) în vederea soluționării garanției revine în responsabilitatea cumpărătorului, iar expedierea se va face prin intermediul curierului rapid.
5. Producătorul nu este răspunzător de daunele provocate produsului de către fenomenele naturale (trăsnet, inundații, cutremur, umiditate), incendii, neglijență în exploatare, deteriorări mecanice, etc.
6. Deteriorările de genul zgârieturi sau rupturi ale elementelor demontabile sau nedemontabile care nu au fost aduse la cunoștința vânzătorului în momentul achiziționării nu sunt acoperite de garanție.
7. Deteriorările cauzate în timpul returnării produsului, datorite împachetării neadecvate, cad în responsabilitatea cumpărătorului.

### 2. Pierderea garanției

Garanția produselor se acordă doar în condițiile în care produsele sunt utilizate în mod corespunzător, de asemenea dacă sunt satisfăcute anumite condiții administrative. Garanția produselor se pierde în următoarele cazuri:

1. Neprezentarea chitanței/facturii originale de cumpărare a produsului, însoțită de prezentul certificat de garanție.
2. Utilizarea produsului în alt regim de lucru decât cel pentru care a fost conceput:
  - Conexiuni electrice greșite, sau nerecomandate de producător.
  - Tensiune de alimentare necorespunzătoare.
  - Modificări ale circuitelor electronice.
3. Modificări mecanice necorespunzătoare.
4. Deteriorări mecanice cauzate de accidente, șocuri, vibrații, lovituri sau alte forme de acțiuni mecanice.
5. Deteriorări termice, datorită incendiilor.
6. Utilizarea produsului în condiții de mediu necorespunzătoare – acțiunea substanțelor chimice, noxe, fum, praf sau umiditate. Defectarea produsului cauzată de intemperii.
7. Modificarea sau desigilarea produsului de către persoane sau firme, necalificate sau neautorizate. Reparațiile necorespunzătoare efectuate asupra produsului pot afecta securitatea acestuia și pot produce defecțiuni iremediabile. Pentru a evita aceste situații vă recomandăm efectuarea oricăror reparații/verificări în exclusivitate la firma Agro Electrosistems SRL.
8. Constatarea faptului (de către specialiștii firmei Agro Electrosistems SRL) că defectul reclamat este cauzat din vina cumpărătorului.

## Napelemes világításrendszer

A napelemes világításrendszer kitűnő megoldás olyan helyeken, ahol nincs lehetőség a 230 V-os hálózati áramellátáshoz csatlakozni. Elsősorban fedett helyiségek kivilágítására alkalmas, de ezen kívül kis teljesítményű, 12 V-os fogyasztók táplálására is alkalmas, mint pl. mobilkészülékek, FM-transzmitterek, vagy villanypásztor készülékek, stb.

### A rendszer elemei az A ábra szerint

- ❶ – Napelem
- ❷ – Vezérlő panel
- ❸ – Égők
- ❹ – Akkumulátor csatlakozó csipeszek

### Vezérlő panel

- A – Töltés
- B – Töltöttségi szint
- C, D, E – Nem használt
- F, G – Napelem csatlakozás
- H, I – Akkumulátor csatlakozás
- J, K – Nem használt
- L – Szivargyújtó aljzat
- M – Világítás-kapcsoló
- N – Biztosíték 10 A (5×20 mm, üveg)
- O – A vezérlő panel felfogató lyukjai

## Üzembe helyezés

A rendszert részben összeszerelve forgalmazzuk. A kábelek hossza:

- Napelem ↔ Vezérlő panel – 5 m.
- Vezérlő panel ↔ Akkumulátor – 1,5 m.
- Vezérlő panel ↔ Égők – 5 m.
- Égő ↔ Égő – 5 m.

A rendszer üzembe helyezése meglehetősen egyszerű (B ábra) – a napelemes panelt dél irányába, 45 fokos szögben kell felszerelni úgy, hogy a nap teljes időtartamában ne vetüljön rá árnyék. Továbbá, ajánlott, hogy a napelemet tartó szerkezet minél magasabb legyen.

A napelemes panel egy épület tetejére is szerelhető (C ábra), ha az épület teteje déli tájolású. Más tájolás esetében egyszerű szerkezet építhető a tetőn a napelemnek a kellő irányitottság biztosításának céljából.

A panelt a keretén levő lyukak által lehet rögzíteni a tartószerkezethez.

A vezérlő panelt (A ábra, ❷) feltétlenül nedvességtől (vízcseppek, eső, hó) mentes helyre kell felszerelni, mivel a rendszer meghibásodásának elsődleges forrása a nedvesség. A vezérlő panel helyének megállapításakor vegye figyelembe a könnyű hozzáférhetőséget, mivel a világítás kapcsolója ezen található. A panelt a négy felfogató lyuk által rögzítheti egy falon, vagy oszlopon (A ábra, O).

Az égőket szintén nedvességtől védett (fedett) helyre szerelje, ellenkező esetben az égők foglalatában lévő érintkezők gyorsan tönkremennek.

⚠ A napelemes panel csökkent fénykörülmények közt is termel elektromos áramot, ezért gondosan kerülje a rendszer szerelése közben kialakulható rövidzárlatokat! A panel és a töltésvezérlő meghibásodásának elkerülése érdekében takarja le fényzáró anyaggal a napelem felületét a szerelés ideje alatt!

i A vezetékek meghosszabbítása esetén gondoskodjon a megfelelő érintkezésekről és szigetelésekről. A kábelek cseréje során kerülje a rövidzárlatok kialakulását! Bizonyosodjon meg, hogy a szerelés során a vezetékekben nincs áram – habár a 12 V-os feszültség nem jelent életveszélyt, egy véletlen rövidzárlat könnyűszerrel tönkreteheti a feszültség alatt lévő rendszert!



## Akkumulátor

A begyűjtött energia tárolására használjon egy 12 V-os akkumulátort (savas, vagy zselés típust). Vigyázat, az akkumulátort nem tartalmazza a csomag! Továbbá, ne használjon más típusú akkumulátort, mint pl. Li-Ion (lítíumos), vagy Ni-MH (nikkel-metál-hidrid)!

Használhat nagyobb kapacitású akkumulátort, viszont ajánlott **max. 100 Ah** teljesítményűt használni, mivel az akkumulátor nem kívánt teljes lemerülése után a rendszer nem képes újraindítani az akkumulátor töltését. Az akkumulátor **minimális teljesítménye** legyen **legalább 45 Ah**.

Az akkumulátort a vezérlő panelhez csatlakozó csipeszekkel kell bekötni (A ábra, 4).

- Piros csipesz = pozitív pólus (+)
- Fekete csipesz = negatív pólus (—)

## A rendszer beindítása

Első lépésben csatlakoztassa az akkumulátort.

Második lépésben ellenőrizze a töltésvezérlő LED-jeit a rendszer helyes működésének megállapítására (tanulmányozza a "LED-ek a töltésvezérlőn" című fejezetet alább).

Utolsó lépésben csatlakoztassa a fogyasztókat az akkumulátorhoz (villanypásztor készülék, világítás, más készülékek).

**⚠** Mindenképpen kerülje a világítás bekapcsolását és a táplálандó készülékek csatlakoztatását akkumulátor nélkül, mivel egy esetleges túlfeszültség miatt tönkretelheti ezeket! A fényerősség változásával a napelem által generált feszültség jelentősen változhat. Például, erőteljes napfényben a panel kimenetén akár 22 V-os feszültség is megjelenhet, ez minden névlegesen 12 V-al táplálандó készüléket tönkretesz.

## A rendszer használata

A világítás az **M** kapcsolóval (A ábra) kontrollálható. Figyelem, ez a kapcsoló az ÖSSZES égőt egyszerre kapcsolja ki-be. Ajánlott takarékoskodni a világítás idejével az akkumulátor töltöttségének magas

szinten való tartása érdekében – az akku csakis nappal töltődik újra, ráadásul borús időben az újratöltés csökkent hatásközzel működik.

A vezérlő panel egyetlen 12 V-os fogyasztó csatlakoztatását teszi lehetővé egy standard, autókban található szivargyújtó aljzat által. Ide csatlakoztathatók kis fogyasztású készülékek, mint pl. mobilszköz-töltő, FM-transzmitter, villanypásztor készülék, stb. Használaton kívül távolítsa el a csatlakoztatott készülékeket ahhoz, hogy megakadályozza az akkumulátor teljes lemerülését, főleg éjszaka.

A vezérlő panel szivargyújtó aljzatához 12/230 V-os inverter is csatlakoztatható, viszont egyértelműen, a 40-50 W-nál nagyobb fogyasztású készülékek táplálása nem működik, az ezekkel való próbálkozások sem ajánlottak. Azoknak a készülékeknek a listája, amelyeket nem használhat inverterrel táplálva, igencsak hosszú, de íme néhány példa: hűtőszekrények, porszívók, vízmelegítők, fűtőtestek, vasalók, fűrógépek, vagy egyéb kéziszerszámok, tehát olyan fogyasztók, amelyeknek a teljesítménye jóval 50 W fölött van. Tartsa szem előtt a tény, hogy a rendszer elsősorban világításra van tervezve, a másodlagos fogyasztók üzemeltetése egy kiegészítő funkció.

## LED-ek a töltésvezérlőn

A töltésvezérlő **A** és **B** LED-jei (A ábra) fontos információkat közölnek a rendszer működéséről, figyelje ezeknek a jelzéseit! A **C** LED állapotát nem kell figyelembe vennie, mivel az ezzel társított funkció nincs használva a rendszerben.

### **A** Töltés

- Sötét – Nincs töltés.
- Folyamatos zöld – Töltés.
- Lassan villogó zöld – Az akkumulátor teljesen feltöltött állapotban való tartása.
- Gyorsan villogó zöld – Az akkumulátor szulfátmentesítése (karbantartása).

**i** | Normál állapotban ez a LED zölden kell világítson.

## Ⓜ Töltöttségi szint

- Villogó zöld – Maximális töltöttségi szint.
- Folyamatos zöld – Normál töltöttségi szint.
- Folyamatos narancssárga – Alacsony töltöttségi szint.
- Folyamatos piros – Nagyon alacsony töltöttségi szint.
- Villogó piros – Lemerült akkumulátor.

ⓘ Normál állapotban ez a LED zölden kell világítson. **Ha a színe narancssárgára, vagy pirosra vált, egy időre kapcsolja ki a világítást és csatlakoztassa le a fogyasztókat az akkumulátor újratöltéséhez.**

## A rendszer leállítása

A csatlakozások szétválasztása előtt takarja le a napelemes panelt az elektromos áram fejlesztésének leállítása céljából!

Először kapcsolja le a világítást és csatlakoztassa le az esetleges fogyasztókat. Csupán ezután csatlakoztassa le az akkumulátort a töltésvezérlőről. Semmiképp se hagyja a rendszert működésben akkumulátor nélkül, főként napsütéses időben, mivel tönkretelheti a csatlakoztatott fogyasztókat túlfeszültség által!

## Karbantartás

Időközönként takarítsa le a napelemes panel felületét egy nedves textíliával. A napelem felületére rakódott por, falevelek, állati eredetű szennyeződések jelentősen csökkentik a rendszer hatékonyságát, vagy pedig leállíthatják a működését, ami az akkumulátor nem kívánt, teljes lemerüléséhez vezethet!

Előzze meg az akkumulátor éjszakai, vagy pedig túlnyomó részt felhős időben való lemerülését, azáltal, hogy időnként ellenőrizi a töltésvezérlő jelzéseit. Az akkumulátor töltése nappal jelentős energiamegyenységet igényel a napelem részéről, a rendszer ezt a csatlakoztatott fogyasztóktól kell elvonja. Az akkumulátor folyamatos teljes töltöttség szint közelében való tartása garantálja a rendszer hosszú távú, problémamentes működését.

## A biztosíték

Egy esetleges rövidzárlat esetén kiéghet a vezérlő panelen lévő kioldó biztosíték (A ábra, Ⓜ). Habár könnyű megoldás a kiégett biztosítékot egy vékony rézdróttal helyesíteni, ezt semmiképp sem ajánljuk, a helyes megoldás csakis a cserebiztosítékok beszerzése. Egy improvizált biztosíték behelyezése a rendszer súlyosabb károsodását okozhatja egy újabb rövidzárlat esetén.

A biztosíték kiégésének főbb okai a következők:

- Az égők foglataiban lévő érintkezők torzulása figyelmetlen szétzedés-összerakás során.
- A tápvezeték szálainak rövidzárlata az égők foglatában, miután a tápvezeték meg lett hosszabbítva, vagy át lett vezetve különböző szűk nyílásokon, ezt követően a foglatat bekötése nem megfelelően lett kivitelezve.
- Rövidzárlat kialakulása egy égő belsejében, azt követően, hogy meghibásodik, kiég.
- Egy defektes, zárlatos fogyasztó csatlakoztatása.

ⓘ A biztosíték paraméterei: 5×20 mm, üveg, 10 A.  
A biztosíték ellenőrzéséhez, cseréjéhez, csavarja ki az Ⓜ foglatat kupakját (A ábra), majd ellenőrizze erős fény előtt a biztosíték üvegcsövében a vékony szál jelenlétét.

## Garancia

Köszönjük, hogy a jelen világításrendszert választotta kínálatunkból! A számla kiállításának dátumától számítva **12 hónap** garanciát vállalunk a rendszer elemeinek működésére.

A felmerülő technikai, illetve működésbeli problémákkal kapcsolatosan kérjük, vegye fel a kapcsolatot velünk az **info@agroelectro.hu** e-mail címen, vagy pedig a **+36 20 984 8038** telefonszámon, a problémaelhárítást tekintve, vagy pedig a termék visszaküldésével kapcsolatos információkért.

FIGYELEM: az égők és a biztosíték fogyóanyagoknak számítanak, ezáltal nincsenek fedve a garancia által! A vásárló ezeket a saját költségvetéséből kell fedezze.

FIGYELEM: megengedett a rendszer módosítása azáltal, hogy lecseréli, meghosszabbítja a vezetékeket, viszont a hibás kötések, hiányos szigetelésekből eredő problémákért már a vásárló a felelős!

A termékek átlagos használati időtartama 5 év. Ez idő alatt a vásárló a hivatalos garanciális időszakon kívül, térítés ellenében, szakszerű, eredeti cserealkatrészekkel való javítást vehet igénybe.

A garanciafeltételeket a cégünk üzletpolitikája és a Román állam törvénykezési szabályozásai határozzák meg, az alábbi törvények és sürgősségi kormányrendeletek alapján: O.G. 21/1992, a 449/2003 törvény szerint, módosítva az O.U.G. 174/2008, O.U.G. 34/2014 és O.G. 9/2016 által. A vásárló jogait nem módosítják a garanciafeltételek.

### 1. Garanciafeltételek

1. A garanciális javítások esetében a vásárló köteles felmutatni a jótállási bizonyítványt és az eredeti vásárlási bizonyítványt (pl. számla, nyugta).
2. A jótállási időszak a számla kiállításának időpontjával kezdődik.
3. A garancia időszaka meghosszabbodik a termék visszaküldésének dátumától számítva a cégünk által írásba foglalt javítás/csere dátumáig. A garancia időszakának meghosszabbítása belekerül a jelen garancia-bizonylatba.
4. A termékek visszaküldésének és visszaszolgáltatásának postaköltségét a vásárlónak kell fizetnie. A szállítás minden esetben gyorspostai szolgálattal történik.
5. A gyártó nem vonható felelősségre a természeti csapások által okozott károkért (villámcsapások, áradások, földrengések, víz okozta károk, tüzek), felelőtlen felhasználás és baleset általi működésképtelenségek miatt.
6. A különféle elemek baleset/törés általi meghibásodása, amely nem volt leközölve cégünknek a termék átvételekor, semmisnek nyilvánul a garanciális feltételekben.
7. A termék visszaküldése során elszenvedett meghibásodások, károk nem számítanak bele a garanciális feltételekbe, ha a vásárló hanyagul csomagolta a visszaküldendő terméket.

### 2. A garancia elvesztése

A garanciális feltételek csakis akkor érvényesek, ha a termékek rendeltetésszerűen vannak használva, továbbá, bizonyos adminisztratív feltételek rendben vannak. A garanciához való jog elvesztődik, ha az alábbi feltételek nem teljesülnek:

1. A termék beszerzésének számlája/nyugtája nem mutatható fel a jelen garancia-bizonylattal.
2. A termék felhasználása nem történt teljesen rendeltetésszerűen, az alábbiak szerint:
  - Hibás, vagy nem javasolt elektronikai kötések.
  - Nem megfelelő tápfeszültség alkalmazása.
  - Az elektronikus áramkörök módosítása.
3. A termék meghibásodása mechanikai behatások által jött létre: esés, törés, vibrációk, ütések, stb.
4. Hőtorzulások – pl. tűzvész, vagy más hőmérséklet-jellegű természeti csapások.
5. A termék nem lett megfelelő környezetben üzembe helyezve – extrém vegyi anyagok általi korróziók, extrém füst-, vagy nedvességhatások.
6. A termékek módosítása, vagy javítása nem az erre felhatalmazott személyek/cégek által történt. A nem megfelelő módosítások/javítások visszavonhatatlan károkat okozhatnak a készülékekben ezért feltétlenül javasoljuk a hibaelhárítási folyamatokat az Agro Electrosystems Kft.-re bízni.
7. Az Agro Electrosystems Kft. szakemberei szerint a készülék(ek) meghibásodása a felhasználó hibájából történt.